

# INT276 GR® Level monitor

## INT276 GR®



INT276 GR

### Application

The optical level monitor INT276 GR is employed for contactless single point measurement of fluid levels, e.g. on compressors, pumps, tanks, etc. The solution consists of a screw-in part and an electrical part. The screw-in part for optical level monitoring is permanently built-in at the measuring point. The electronic electrical part can be mounted or replaced without opening the circuit of the medium to be monitored.

### Functional description

Light pulses of the device are refracted in fluids and reflected in gaseous environments. This allows the INT276 GR to detect the fluid level reliably.

After the supply voltage has been connected and the switch delay has elapsed, the level monitoring is active.

If the level is too high or if there is an error, the relay drops out.



Once the correct level has been reached again or the error has been rectified, the relay energises again.

The potential-free, change-over contact can be looped into a safety circuit without an auxiliary relay.

An integrated own monitoring system ensures high reliability; an installation check monitors the proper assembly.

A built-in LED signals the current status (see flash code).

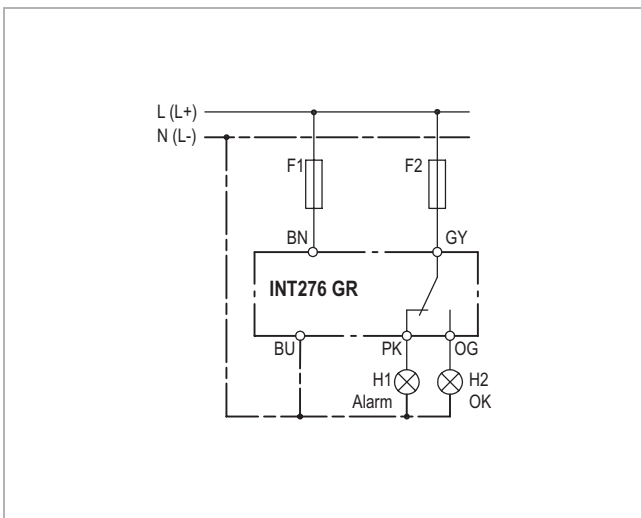
### Installation instructions

-  Level good
-  Level too high
-  Internal error, voltage supply too low or faulty assembly

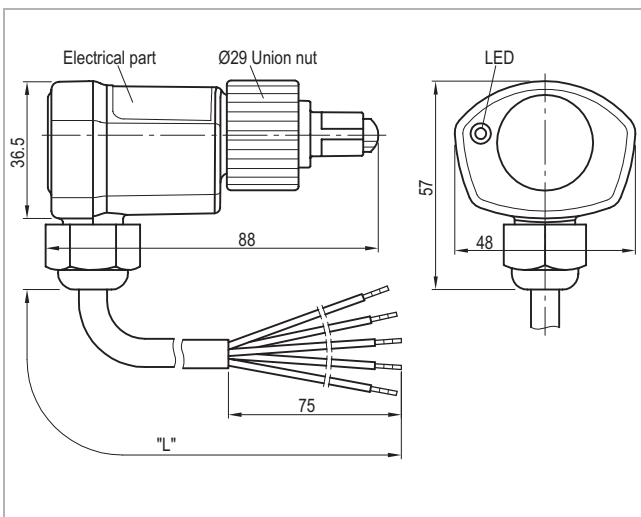
1. Ensure cleanliness of thread and glass of the screw-in part.
2. Mount electrical part into the screw-in part. The cable outlet has to point downwards here.
3. Tighten the coupling ring hand tight.

 The mounting, maintenance and operation are to be carried out by an electrician. The valid European and national standards for connecting electrical equipment have to be observed.

See back side for further specifications



Wiring diagram



Dimensions in mm

Technical changes reserved



# INT276 GR<sup>®</sup> Level monitor

## INT276 GR<sup>®</sup>

### Technical specifications

Supply voltage	
- 52 S 476 S63	AC 50/60Hz 230V ±10% 3VA
- 20 S 476 S63	AC/DC 50/60Hz 24V ±10% 3VA
Permitted ambient temperature	-30...+60°C
Medium temperature	Max. +120°C (<16000h) Max. +100°C
Permitted rel. humidity	10-95% r. h. no condensation
Switch delay	
- After applying the supply voltage	3s ±1s
- Level to high or fault	5s ±2s
- Level good and no fault	5s ±2s
Relay	
- Contact	AC 240V 2.5A C300 at least AC/DC 24V 20mA
- Mechanical service life	Approx. 1 million switching cycles
Protection class acc. to EN 60529	IP54 in mounted condition
Connection type	Cable 5 x AWG 18/7 L=1m
Housing material	PA glass-fibre-reinforced
Mounting	Union nut (torque max. 10Nm)
Dimensions	See dimensions in mm
Weight	Approx. 200g
Check base	EN 61000-6-2, EN 61000-6-3 EN 61010-1 Overvoltage category II Pollution level 2
Approval	UL File No. E222056 cURus

### Order data

INT276 GR Level monitor (AC 230V)	<b>52 S 476 S63</b>
INT276 GR Level monitor (AC/DC 24V)	<b>20 S 476 S63</b>
Accessories and application information	see <a href="http://www.kriwan.com">www.kriwan.com</a>