

INT276 ICN[®] Level monitor

INT276 ICN[®]



INT276 ICN

Application

The optical level monitor INT276 ICN is employed for contactless single point measurement of fluid levels, e.g. on compressors, pumps, tanks, etc. The solution consists of a screw-in part and an electrical part. The screw-in part for optical level monitoring is permanently built-in at the measuring point. The electronic electrical part can be mounted or replaced without opening the circuit of the medium to be monitored.

The optical level monitoring INT276 ICN is employed everywhere where, in addition to sensing the fluid level, fault-free operation needs to be ensured even with great temperature differences between air with high humidity and the medium to avoid icing between the electronics and the screw-in part.

Functional description

Light pulses of the device are refracted in fluids and reflected in gaseous environments. This allows the INT276 ICN to detect the fluid level reliably.

After the supply voltage has been connected and the switch delay has elapsed, the level monitoring is active.

Time-delayed reaction prevents switching errors that can be caused by temporary fluctuations of the fluid.



If the level is too low or if there is an error, the relay drops out.

Once the correct level has been reached again or the error has been rectified, the relay energises again.

The potential-free, change-over contact can be looped into a safety circuit without an auxiliary relay.

An integrated own monitoring system ensures high reliability; an installation check monitors the proper assembly.

A built-in LED signals the current status (see flash code).

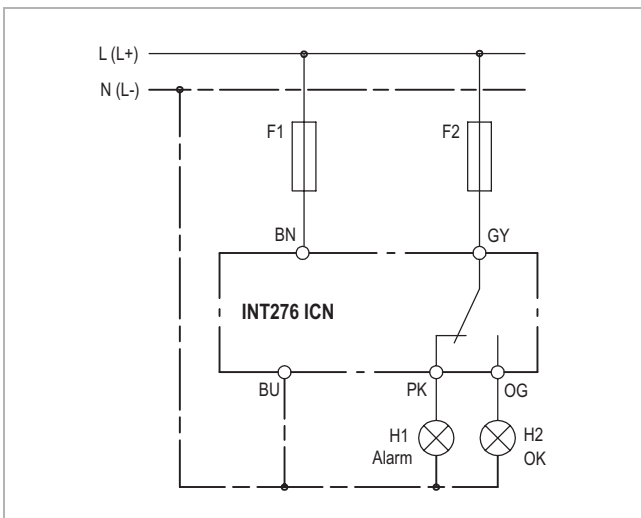
-  Level good
-  Level missing
-  Internal error, voltage supply too low or faulty assembly

Installation instructions

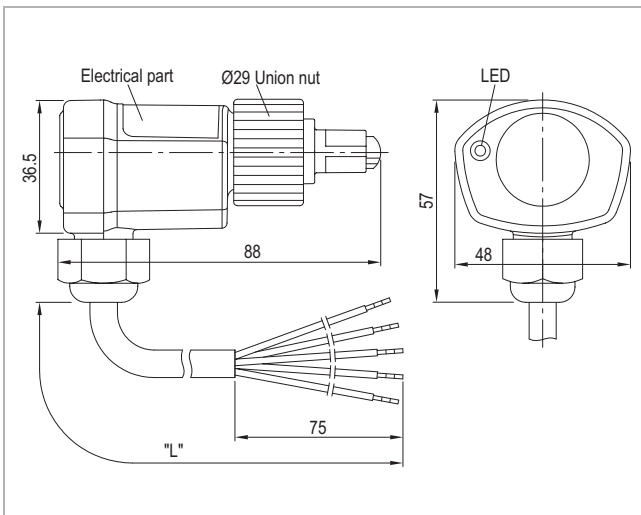
1. Ensure cleanliness of thread and glass of the screw-in part.
2. Mount electrical part into the screw-in part. The cable outlet has to point downwards here.
3. Screw on the coupling ring over the entire thread length of the screw-in part and hand-tighten.

 The mounting, maintenance and operation are to be carried out by an electrician. The valid European and national standards for connecting electrical equipment have to be observed.

See back side for further specifications



Wiring diagram



Dimensions in mm

Technical changes reserved

INT276 ICN[®] Level monitor

INT276 ICN[®]

Order data

INT276 ICN Level monitor (230V, 1m)	52 S 469 S001
INT276 ICN Level monitor (24V, 1m)	20 S 469 S001
INT276 ICN Level monitor (230V, 2m)	52 S 469 S002
INT276 ICN Level monitor (24V, 2m)	20 S 469 S002
INT276 ICN Level monitor (230V, 5m)	52 S 469 S003
INT276 ICN Level monitor (24V, 5m)	20 S 469 S003
INT276 ICN Level monitor (230V, 10m)	52 S 469 S004
INT276 ICN Level monitor (24V, 10m)	20 S 469 S004
Accessories and application information	see www.kriwan.com

Technical specifications

Supply voltage	AC 50/60Hz 230V ±10% 3VA
<ul style="list-style-type: none"> - 52 S 469 S001 - 52 S 469 S002 - 52 S 469 S003 - 52 S 469 S004 	
<ul style="list-style-type: none"> - 20 S 469 S001 - 20 S 469 S002 - 20 S 469 S003 - 20 S 469 S004 	AC/DC 50/60Hz 24V ±10% 3VA
Medium temperature	Max. +120°C (<16000h) Max. +100°C
Permitted rel. humidity	10-95% r. h. no condensation
Switch delay	
<ul style="list-style-type: none"> - After applying the supply voltage - Level missing or fault - Level good and no fault 	3s ±1s 5s ±2s 5s ±2s
Relay	
<ul style="list-style-type: none"> - Contact - Mechanical service life 	AC 240V 2.5A C300 at least AC/DC 24V 20mA Approx. 1 million switching cycles
Protection class acc. to EN 60529	IP54 in mounted condition
Connection type	Cable 5 x AWG 18/7
<ul style="list-style-type: none"> - 52 S 469 S001 - 20 S 469 S001 - 52 S 469 S002 - 20 S 469 S002 - 52 S 469 S003 - 20 S 469 S003 - 52 S 469 S004 - 20 S 469 S004 	L=1m L=2m L=5m L=10m
Housing material	PA glass-fibre-reinforced
Mounting	Union nut (torque max. 10Nm)
Dimensions	See dimensions in mm
Weight	
<ul style="list-style-type: none"> - 52 S 469 S001 - 20 S 469 S001 - 52 S 469 S002 - 20 S 469 S002 - 52 S 469 S003 - 20 S 469 S003 - 52 S 469 S004 - 20 S 469 S004 	Approx. 200g Approx. 300g Approx. 600g Approx. 1,1kg
Check base	EN 61000-6-2, EN 61000-6-3 EN 61010-1 Overvoltage category II Pollution level 2