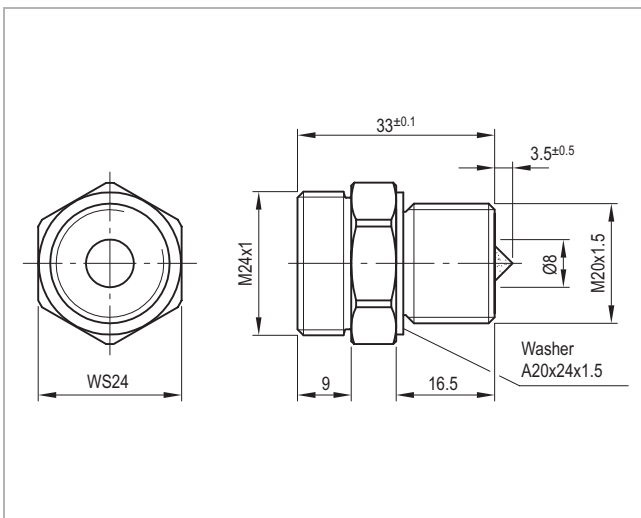


# Screw-in part M20x1.5 short DGRL



Screw-in part M20x1.5 short DGRL



Dimensions in mm

## Application

Optical level monitoring from KRIWAN is employed for contactless single point measurement of fluid levels, e.g. on compressors, pumps, tanks, etc. The solution consists of a screw-in part and an evaluation unit. The screw-in part for optical level monitoring is permanently built-in at the measuring point.

The electronic evaluation unit can be installed or replaced without opening the circuit of the medium to be monitored.

## Functional description

Light pulses of the device hit the glass cone are refracted in fluids and reflected in gaseous environments.

This allows the installed downstream evaluation circuitry to reliably detect the fluid level.

## Installation instructions

**Installation:** Before installation, make sure that the glass cone is clean and free of foreign objects. The maximum torque of the screw-in part is 75Nm and must be ensured by a ring spanner or a socket key. After installation, check for proper tightness.



Installation, maintenance and operation must be carried out by a specialist. The valid European and national standards for connecting refrigeration plants must be observed.

## Technical specifications

Permitted ambient temperature	-30°C...+60°C
Media temperature	-30°C...+120°C
Permissible relative humidity	10-95% r. h. without condensation
Operating pressure (PS)	
-10°C...+120°C	46bar
-30°C...-10°C	34.5bar
Burst pressure	230bar
Permissible media	Oils, refrigerants and other fluids suitable for optical monitoring which do not corrode the material of the screw-in part. Suitable for NH <sub>3</sub> . A test is recommended for individual cases.
Housing material	Steel, nickel-plated
Washer	20x24mm Al
Weight	Approx. 50g
Approvals	Pressure Equipment Directive (97/23/EC)

## Order data

Screw-in part M20x1.5 short DGRL	<b>02 K 465 S22</b>
Accessories and application information	see <a href="http://www.kriwan.com">www.kriwan.com</a>