

# DELTA-P II® Electrical part

## DELTA-P II®



DELTA-P II

### Application

Monitoring the lubrication system is especially important in refrigerant compressors. KRIWAN's differential pressure monitoring is a very reliable method for piston compressors. It consists of two parts; the DELTA-P II electrical part and a separately available screw-in part. The electronic electrical part can be mounted or replaced without opening the refrigeration circuit.

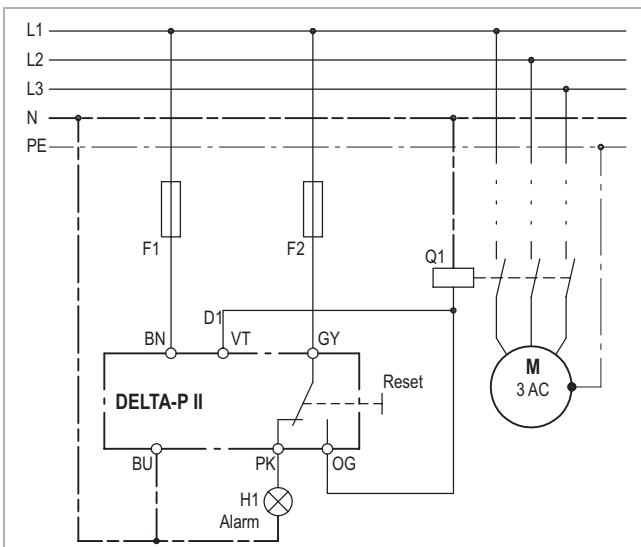
### Functional description

The difference between high pressure and suction pressure in the screw-in part influences a movable piston. Its position is registered without contact by the mounted DELTA-P II electrical part and evaluated. After the compressor starts up and the starting transition time has elapsed, the differential pressure monitoring is active. Fluctuations in the differential pressure are taken into account by an extension of the switch-off times (time integration). A missing differential pressure leads to a locked switch-off. Restarting is only possible after a reset.

The potential-free contact can be looped into a safety circuit without a supplementary auxiliary relay.

The integrated installation check monitors the proper assembly. A built-in LED signals the current status (see flash code).

- Differential pressure good
- Differential pressure too low
- Internal error, voltage supply too low or faulty assembly
- Operating recognition on but relay off



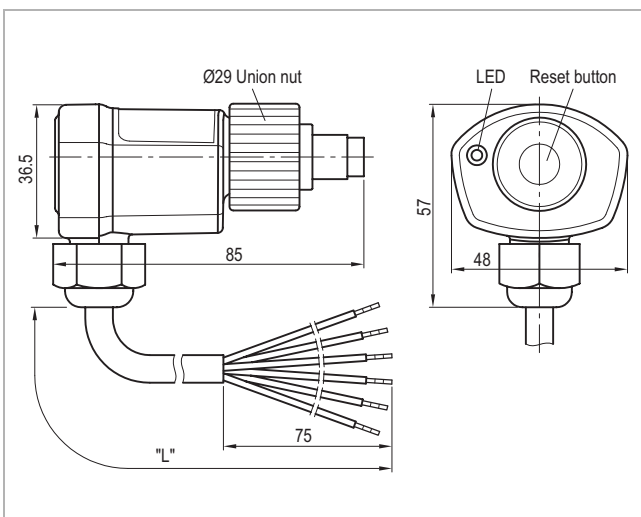
Wiring diagram

### Installation instructions

1. Ensure cleanliness of the screw-in part.
2. Mount electrical part into the screw-in part. The cable outlet has to point downwards here.
3. Tighten the coupling ring hand tight.

The mounting, maintenance and operation are to be carried out by an electrician. The valid European and national standards for connecting electrical equipment have to be observed.

See back side for further specifications



Dimensions in mm

Technical changes reserved

# DELTA-P II® Electrical part



## Technical specifications

Supply voltage	AC 50/60Hz 115-230V -15...+10% 3VA
Permissible ambient temperature $T_A$	-30...+70°C (UL: +65°C)
Permitted rel. humidity	10-95% RH, without condensation
Input, operating recognition motor	L-potential at the D1 connection (see wiring diagram)
Starting transition	120s $\pm$ 5s
Switch delay	
- After applying the supply voltage	3s $\pm$ 1s
- Operating recognition active after	5s $\pm$ 2s
- Error	5s $\pm$ 2s
Resetting the lock	Power reset >5s or reset by button
Relay	
- Contact	AC 240V 2.5A C300 Min. AC/DC 24V 20mA
- Mechanical service life	Approx. 1 million switching cycles
Protection class acc. to EN 60529	IP54 in mounted condition
Connection type	Cable 6xAWG-18 L=1m
Housing material	PA glass-fibre-reinforced
Mounting	Union nut (torque max. 10Nm)
Dimensions	Refer to dimensions in mm
Weight	Approx. 200g
Check base	EN 61000-6-2, EN 61000-6-3 EN 61010-1 Overvoltage category II Pollution level 2
Approval	UL File No. E222056 cURus

## Order data

DELTA-P II Electrical part	<b>22 S 298</b>
Accessories and application information	see <a href="http://www.kriwan.com">www.kriwan.com</a>