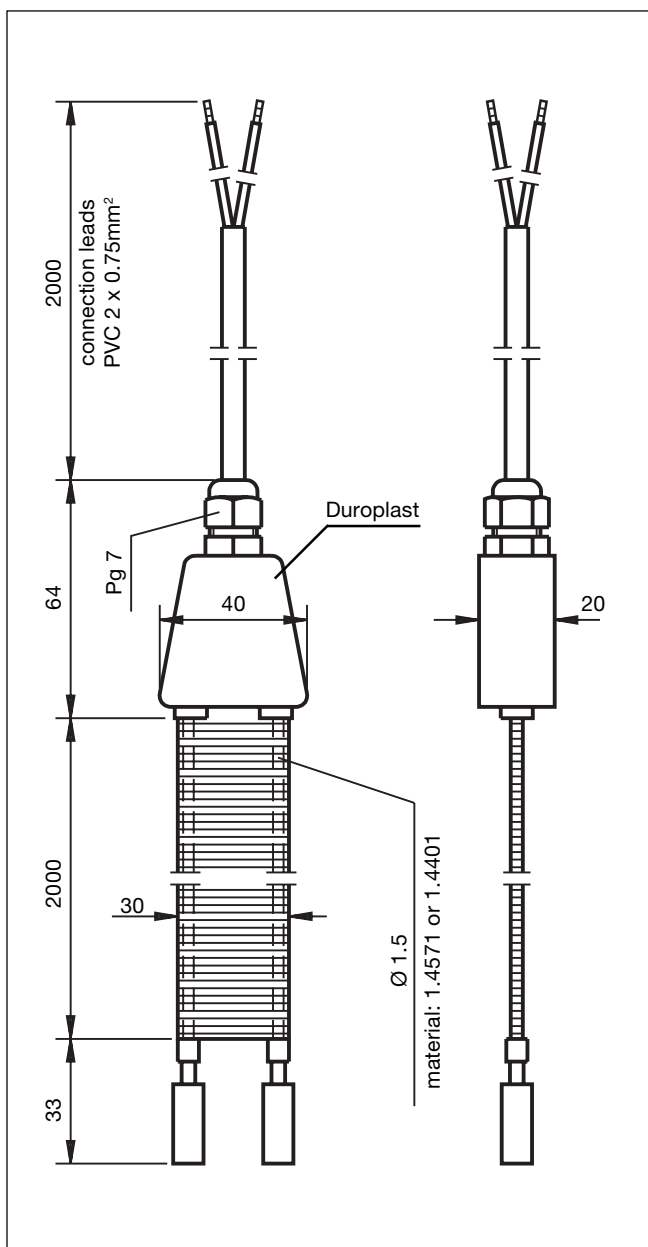


# Strip electrode



Strip electrode



Dimensions in mm

## Application:

Strip electrodes are used for detecting conducting fluids on level surfaces (e.g. due to leak-

age). The evaluation is achieved by an appropriate switching device.

## Functional description:

The KRIWAN strip electrode consists of two stainless steel electrodes which are worked into a halogen-free polyester strip at a distance of approx. 25mm. This strip is designed so that the electrodes do not touch each other or any other

electrical ground connection (e.g. steel tube or similar). This avoids false alarms. An electrical connection < approx. 30kΩ of the two electrodes due to conducting fluids is recognized by a level control unit and signalled by a relay.

## Recommended KRIWAN control units:

NIV513/9 Housing for front panel mounting  
NIV513 ISO-Housing

**52 K 218**

**52 K 215**



The unit must be connected by trained electrical personnel. All valid standards for connecting electrical equip-

ment must be observed. Limit values for the supply voltage of the unit may not be exceeded.

## Technical data

Sensors	1 control electrode 1 mass electrode
Ambient temperature range	-20...+60°C
Electrodes	2 stainless steel electrodes, Ø 1.5mm approx. 20...25mm
- spacing	1.4571 or 1.4401
- material	halogen-free polyester
- fabric	
Length sensor strip	2m
Connection leads	PVC, 2 x 0.75m²
- length	2m
- screw joint	Pg 7
Weight	approx. 325g
<b>Part-No.</b>	<b>02 K 101</b>

Subject to technical modifications without notice