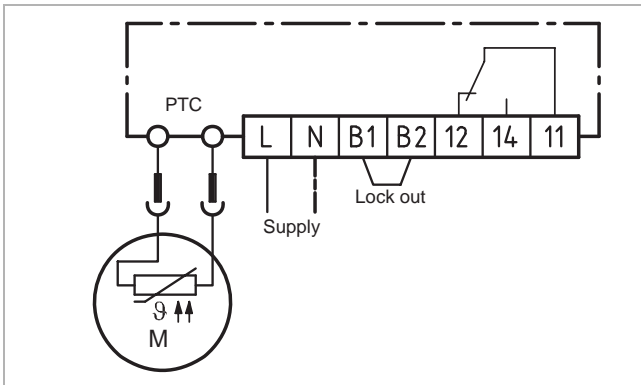


INT69 B1® Motor protector

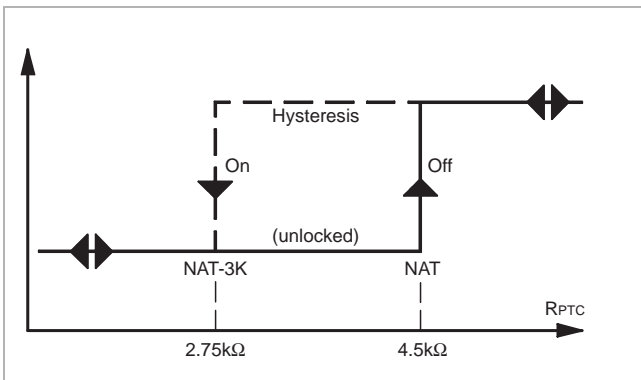
INT69 B1®



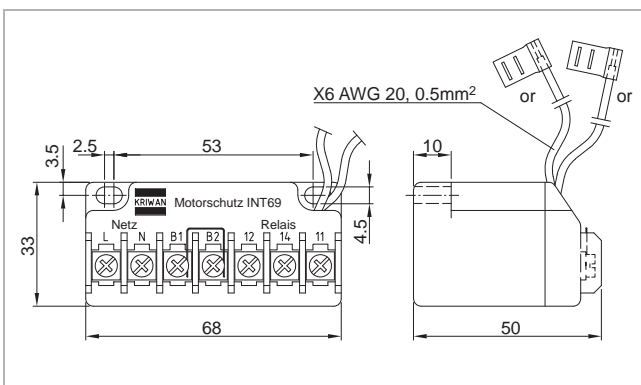
INT69 B1



Wiring diagram



Switching hysteresis



Dimensions in mm

Application

The INT69 B1 motor protector has been developed especially for use in cases with a higher starting load or for drives with a high switching frequency.

Functional description

At the measuring circuit input of the INT69 B1 (orange wires), it is possible to connect up to nine DIN 44081/082-conform PTC sensors. Sensors with different nominal response temperatures may be used. Thus it is possible to monitor several measuring points with only one INT69 B1 motor protector.

If the temperature in one of the monitored parts or sections exceeds the nominal response temperature of the respective PTC sensor, the sensor becomes highly resistive and the motor protector switches off. After cooldown, restarting is only possible if the electronic lock of the output relay is released by interrupting the voltage supply. Ex works the lock-out bridge is installed at terminals B1-B2. Alternatively the locked version can be changed to an unlocked version by removing bridge B1-B2. In that case the device switches itself on again after the cooldown.

The relay switch output is designed as a potential free change-over contact. This switching circuit function according to the closed-circuit principle, i.e. the relay drops back to the reset position also in case of sensor or cable failure and shuts off.

The sensor, relay and supply circuits are galvanically isolated from each other.

! The unit must be connected by trained electrical personnel. All valid European and national standards for connecting electrical equipment and cooling installations must be observed.

Technical specifications

Supply voltage	AC 50-60Hz 115-230V, ±10% 3VA
Permitted ambient temperature	-30...+70°C
Temperature measuring circuits	
- Type	PTC, accord. to DIN 44081/082
- Number of sensors	1-9 in series
- $R_{25, total}$	<1.8kΩ
Reset of lock-out	Power off >5s
Output relay	Max. AC 240V 2.5A C300
AgNi 90/10	Min. AC/DC >24V, >20mA
Mechanical service life	Approx. 1 million switching cycles
Protection class acc. to EN 60529	IP00
Connection type	Screw type terminal Flexible leads 2 x AWG20 L=120mm with flag terminals 6.3 x 0.8mm
Housing material	PA66, glass-fibre-reinforced
Mounting	Screw mounted
Dimensions [mm]	50x33x68 (LxWxH)
Weight	Approx. 170g
Check base	EN 61000-6-2 EN 61000-6-3 EN 61010-1
Approval	UL File No. E75899
Order data	
INT69 B1 DV Motor protector	22 A 607

Technical changes reserved