

INT69[®] Motor protector

INT69[®]



INT69

Application

Motor protection based on PTC sensors is one of the most effective and reliable protective measures against thermal overload in electrical machines. The protection unit is composed of the INT69 motor protector and the PTC sensors. Due to its compact construction, the INT69 is suitable for installation in electrical devices or in the terminal boxes of electrical machines.

Functional description

At the measuring circuit input of the INT69, it is possible to connect up to nine DIN 44081, DIN 44082 conform PTC sensors. Sensors with different nominal response temperatures may be used. Thus it is possible to monitor several measuring points with only one INT69 motor protector.

If the temperature in one of the monitored parts or sections reaches the nominal response temperature of the respective PTC sensor, the sensor becomes highly resistive and the motor protector switches off.

The device switches itself on again after cooling back down.

The relay's switching output is a potential-free changeover contact.

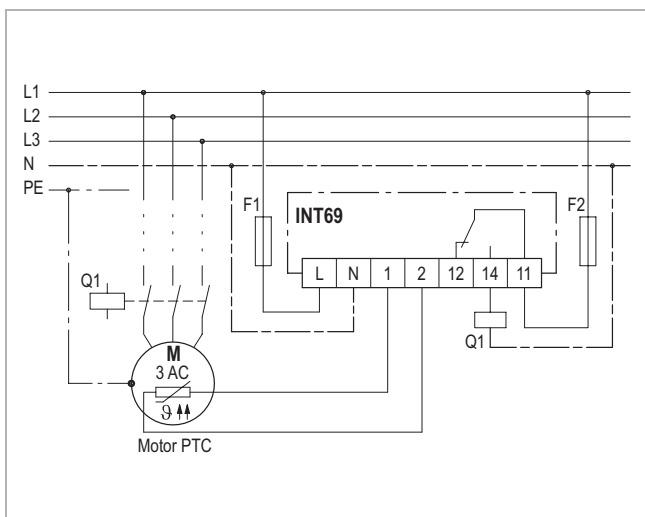
This circuit works in accordance with the closed-circuit principle, i.e. even in the event of a sensor or cable break, the relay returns to its rest position and switches off.

The sensor, relay and supply current circuits are galvanically isolated from each other.

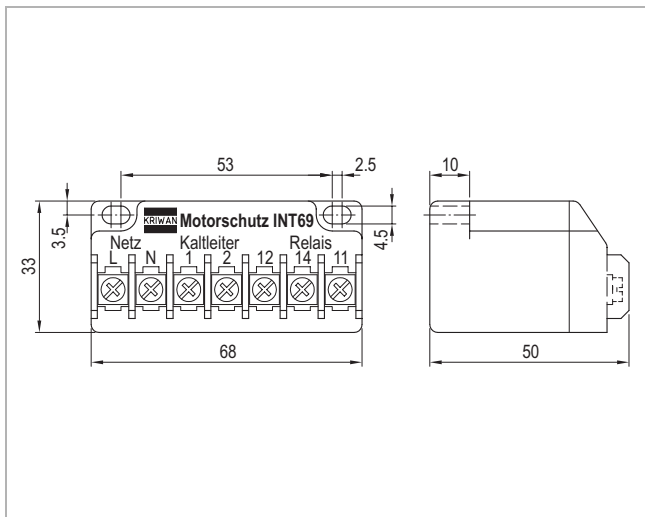


The mounting, maintenance and operation are to be carried out by an electrician. The valid European and national standards for connecting electrical equipment and cooling installations have to be observed. Connected sensors and connection lines that extend from the terminal box have to feature at least a basic insulation.

See back side for further specifications



Wiring diagram



Dimensions in mm

Technical changes reserved

INT69® Motor protector

Technical specifications

| | |
|-----------------------------------|--|
| Supply voltage | |
| - 22 A 460 | AC 50/60Hz 115/120V-230/240V ±10% 3VA |
| - 31 A 460 | AC 50/60Hz 24V ±10% 3VA |
| Permitted ambient temperature | -30...+70°C |
| Temperature measuring circuits | |
| - Type | 1-9 PTC sensors acc. to DIN 44081, DIN 44082 in series |
| - $R_{25, total}$ | <1.8k Ω |
| - R_{trip} | 4.5k Ω ±20% |
| - R_{reset} | 2.75k Ω ±20% |
| - Max. length connection line | 30m |
| Relay | |
| - Contact (22 A 460) | AC 240V 2.5A C300 at least AC/DC 24V 20mA |
| - Contact (31 A 460) | AC 240V 2.5A C300 at least AC/DC 100mV 0.5mA |
| - Mechanical service life | Approx. 1 million switching cycles |
| Protection class acc. to EN 60529 | IP20 |
| Connection type | Screw type terminal |
| Housing material | PA glass-fibre-reinforced |
| Mounting | Screw mounted |
| Dimensions | Refer to dimensions in mm |
| Weight | Approx. 200g |
| Check base | EN 61000-6-2, EN 61000-6-3 EN 61010-1 Overvoltage category II Pollution level 2 |
| Approval | UL File No. E75899 cUR _{us} |

Order data

| | |
|---|--|
| INT69 Motor protector (AC 115/120V-230/240V) | 22 A 460 |
| INT69 Motor protector (AC 24V) | 31 A 460 |
| Accessories and application information | see www.kriwan.com |