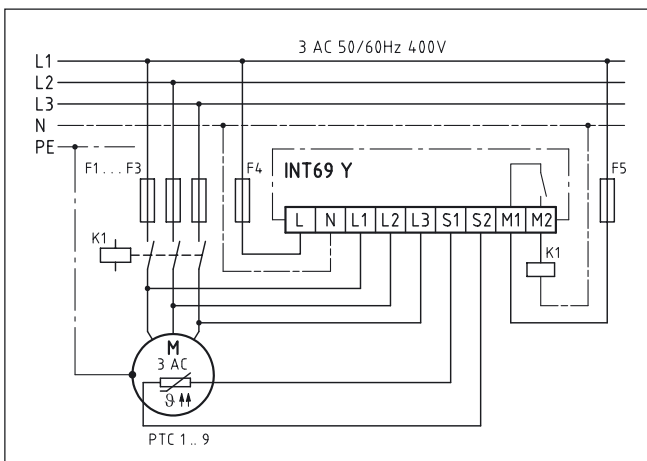


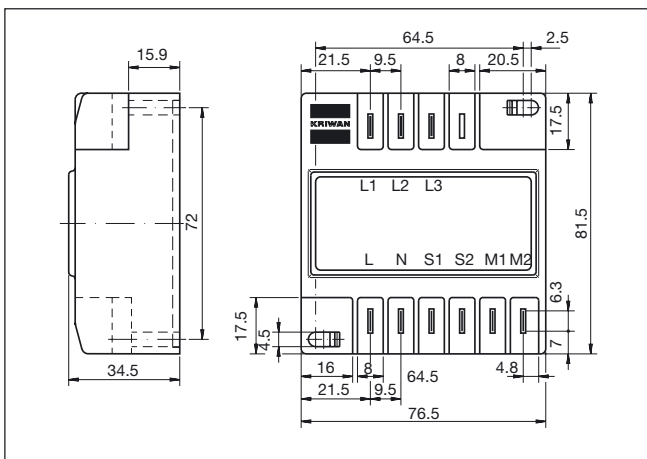
INT69 Y[®] Motor protector dual voltage



INT69 Y Motor protector



Connection diagram



Dimensions in mm

Application:

The INT69 Y motor protector device is special developed for screw compressors, with motor

temperature monitoring and phase monitoring functions like phase missing and phase sequence.

Functional description:

- 1...9 PTC thermistors (DIN 44081/082) can be connected in series to the thermistor input terminals (S1/S2) to monitor several temperature limits. If any thermistor exceeds its response temperature, its resistance increases above trip level and the output relay drops out. After cooling down below the response temperature, a 5min delay is activated. During this delay time the INT69 Y is dropped out. After the delay has elapsed, the relay pulls in again.
- The phase monitoring function is active during a 5s window 1s after compressor start (3 phases recognised). After re-

- response of phase monitoring a lockout occurs within 1.5s.
- The lockout can be cancelled by mains reset of approx. 5s.
- In case of backward running of the screw for a short time, due to effects at compressor shutdown, a 20s monitoring break is included that doesn't detect this as a mistake.
- The relay is fed out as a dry N/O contact. Under good conditions the relay is pulled in.
- Relay contacts for low voltage. Gold plated for currents $\leq 10\text{mA}$.
- Sensor and mains circuit are galvanically isolated.
- The INT69 Y is not usable for frequency converter applications.



The unit must be connected by trained electrical personnel. All valid standards for connecting electrical equipment

must be observed. Limit values for the supply voltage of the unit may not be exceeded.

Technical data

Supply	AC 50/60Hz 115/120V AC 50/60Hz 230/240V -15...+10% 3VA
Ambient temperature range	-30...+60°C
Temperature monitoring	PTC, acc. to DIN 44081/082
- Type	1...9 in series
- Number	< 1.8kΩ
- R _{25, total}	4.5kΩ ± 20%
- R _{trip}	2.75kΩ ± 20%
- R _{reset}	
After cool down	
- Time delay	5min ± 1min.
Phase monitoring	3 AC 50/60Hz 200...600V active t ₀ + 1s...t ₀ + 6s
After response of phase monitoring	
- Phase sequence	lockout within 1.5s
- Phase missing	lockout within 1.5s
- Reset / cancel lockout	mains interrupt for approx. 5s
Relay	AC 240V, max. 2.5A, C300
- gold plated contacts	min. AC/DC 24V, 10mA
Mechanical service life	approx. 1 mio. switching cycles
Protection class	IP00
Connection	6.3mm connectors
Housing	PA66 GF25
Mounting	screw-mounted
Dimensions	76.5 x 81.5 x 34.5mm
Weight	approx. 200g
Part-No.	22 A 282

Subject to technical modifications without notice