



HANDBOOK
SAFETY DEVICES

Ed. 2017

 **Castel**[®]
Italian technology

CHAPTER 2

SAFETY VALVES IN SERIES 3060



GENERAL DESCRIPTION

The valves in series 3060 are unbalanced, conventional direct-loaded safety valves. The valve is opened by the thrust from the fluid under pressure below the shutter, when said thrust exceeds, under the calibrated conditions, the opposing force of the spring acting on the shutter.

Valves are identified by means of:

- a model number formed of an alphanumerical code that includes:
 - the family identity (for ex. 3060/45)
 - the type of connection (C = NPT)
 - the set pressure, expressed in bar, multiplied by 10 (for ex. 300)
- an alphanumerical serial number.

CONSTRUCTION

Body: squared, obtained through hot moulding and subsequent machining. It houses the following elements:

- the nozzle with flat sealing seat
- the shutter guide
- the set spring slot
- the threaded seat of the setting adjustment ring nut

In the body, above the shutter guide, a small pressure relief hole is provided through which the spring slot communicates with the exit connection.

Material used: EN 12420-CW617N brass

Shutter: obtained through machining from bar stock and fit with gasket, it ensures the required degree of

tightness on the valve seat. The gasket is made from PTFE (Polytetrafluorethylene), a material that, during the valve's estimated service life, maintains good strength and does not cause the shutter to stick on the seat. The shutter is properly guided in the body and the guide action cannot fail. There are no glands or retaining rings that hamper its movement.

Material used: EN 12164-CW614N brass

Spring: it opposes the pressure and the fluid dynamic forces, and always ensures closing of the valve following pressure relief.

Material used: DIN 17223-1 steel for springs.

Calibration system: hex-head threaded ring nut to be screwed inside the upper portion of the body, compressing the spring below. When calibration is complete, the position of the ring nut is maintained unchanged by applying to the threaded coupling a high mechanical strength and low viscosity bonding agent. The low viscosity promotes penetration. The calibration system is protected against subsequent tampering by means of a threaded cap nut, screwed on outside the brass body and blocked in place through re-flanging.

SCOPE

Use: protection against possible overpressure of the apparatuses listed below, with regard to the operating conditions for which they have been designed:

- Refrigeration system or heat pump components, for instance: condensers, liquid receivers, evaporators, liquid accumulators, positive displacement compressor discharge, heat exchangers, oil separators, or piping. (reference standard: EN 378-2:2016)
- Simple pressure vessels (reference Directive: 2009/105/EC)

Fluids: the valves in series 3060 can be used with:

- a. Refrigerant fluids in vapour or gaseous state belonging to Group 2:
 - HCFC (R22)
 - HFC (R134a , R404A , R407C , R410A , R507)
 - HFO and HFO/HFC mixtures (R1234ze , R448A , R449A , R450A , and R452A)
 - R744

with reference to Article 13, Para. 1(b) of Directive 2014/68/EU (EC Regulation No. 1272/2008).

- b. Air and nitrogen (reference Directive: 2009/105/EC)

For specific applications with refrigerant fluids not listed above, please contact Castel Technical Department.

MARKING

In compliance with the provisions of Article 19 of Directive 2014/68/EC, the following information is reported on the valve body:

- Manufacturer's mark
- Country of manufacturing
- Indication of flow direction
- Maximum allowable pressure
- CE marking
- Identification number of the notified body involved in the production control phase

Again, on the body, the following information is laser marked:

- Valve model
- Serial number
- Set pressure
- Kd discharge coefficient
- Flow section
- Production date

DOCUMENTATION

The safety valves in series 3060 are supplied with the following documentation provided in the packaging:

- operating instructions for the user, containing all information useful for safety in terms of assembly, commissioning, use, and maintenance.
- Compliance Statement for the equipment according to Directive 2014/68/EU, required in Article 17 and issued in compliance with Annex IV of the same directive.
- Calibration certificate for the safety valve, printed on the reverse side of the Compliance Statement.

N.B.: on the website: www.castel.it use the "Certifications" pull-down menu to access the web-page "**Castel Certification Download Center**". On this page, you can download:

- the Compliance Statement / Calibration Certificate for each valve by entering the 7-digit alphanumeric serial number.
- the general Compliance Statement referring to a specific model of valve 3060 with a specific setting, for ex. 3060/24C250 or 3060/45C420.

VALVE SELECTION

Directive 2014/68/EC requires that pressure equipment, in which permissible limits are reasonably likely to be exceeded, shall be fitted with suitable protection devices, for instance safety devices such as safety valves. Such devices shall prevent pressure from permanently exceeding the maximum allowable pressure (PS) of the equipment

they protect. In any case, a short pressure peak limited to 10% of maximum allowable pressure is permitted.

As to the selection and sizing of the suitable protection device, users shall refer to the specific product and sector standards listed below:

- EN ISO 4126-1: 2013: "Safety devices for protection against excessive pressure – Part 1: Safety valves" indicates the general requirements for safety valves regardless of the fluid for which they were designed.
- EN 378-2:2016: "Refrigerating systems and heat pumps – safety and environmental requirements – Part 2: Design, construction, testing, marking and documentation" provides a general outline of the protection devices to be used in refrigerating systems and their characteristics (Para. 6.2.5) and the criteria for the selection of the device suitable for the type and size of the system component to be protected (Para. 6.2.6).
- EN 13136:2013: "Refrigerating systems and heat pumps – Pressure relief devices and their associated piping – Methods for calculation" highlights the possible causes of overpressure in a system and provides users with the tools for sizing pressure relief devices, among which safety valves.

To select the safety valves in series 3060, please see Chapter 5 "Selection Criteria for Safety Valves" in this technical handbook.

Tables 7, 8, 9, 10 and 11 provide the maximum discharge capacities of safety valves, models 3060/23-/24, 3060/33-/34, 3060/45, 3060/36 and 3060/46, as a function of various refrigerants and varying P_{set} for the valve, considering T_o = Steam saturation temperature at discharge pressure, P_o .

VALVE INSTALLATION

Safety valves type 3060 do NOT guarantee repeatable performance. This means that, after the valves have operated, open/close, the initial setting conditions are NOT maintained.

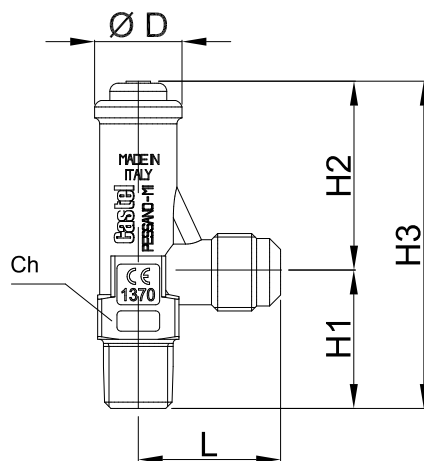
To calculate the pressure loss in either the upstream line (between vessel and safety valve) or the downstream line (between safety valve and atmosphere) refer to Chapter 5 "Selection Criteria for Safety Valves" in this technical handbook.

TABLE 5: General Characteristics of valves 3060

Catalogue Number	3060/23C	3060/24C	3060/33C	3060/34C	3060/45C	3060/36C	3060/46C
Connections	Inlet male	1/4" NPT	1/4" NPT	3/8" NPT	3/8" NPT	1/2" NPT	1/2" NPT
	Outlet male	3/8" SAE	1/2" SAE	3/8" SAE	1/2" SAE	5/8" SAE	3/4" G
Inlet connection wrench torque (min/max) [Nm]	10/15	10/15	14/20	14/20	21/30	14/20	21/30
Flow Diameter [mm]	7,0				9,5	10,0	
Flow Section [mm ²]	38,5				70,9	78,5	
Discharge Coefficient "Kd"	0,63	0,69	0,63	0,69	0,45	0,92	0,93
PS [bar]	55						
TS [°C]	- 50 / + 120						
TA [°C]	- 40 / + 50						
Set Pressure Range at atmospheric back pressure Pset [bar]	9 / 50						
Overpressure	+ 10 % of Pset						
Blowdown	- 50 % of Pset				- 40 % of Pset		
Helium tightness	80 % di Pset (9 bar < Pset < 31 bar)						
	90 % di Pset (31,1 bar < Pset < 50 bar)						
Estimated service life	5 years						
Risk Category according to PED Recast	IV						

TABLE 6: Dimensions and Weights of valves 3060

Catalogue Number	Dimensions [mm]						Weight [g]
	Ø D	L	Ch	H ₁	H ₂	H ₃	
3060/23C	21,5	35	20	33,5	46,5	80	180
3060/24C	21,5	35	20	33,5	46,5	80	195
3060/33C	21,5	35	20	33,5	46,5	80	195
3060/34C	21,5	35	20	33,5	46,5	80	195
3060/45C	24,5	39,0	23	37	52,5	89	240
3060/36C	30	40	27	37	59,5	96,5	360
3060/46C	30	40	27	40	59,5	99,5	380



- 3060/23C
- 3060/24C
- 3060/33C
- 3060/34C
- 3060/45C
- 3060/36C
- 3060/46C

TABLE 7: Maximum discharge capacity of valves 3060/23 ; 3060/33

Pset [bar]	Po [barsass]	R134a		R22		R404A		R407C		R410A		R448A	
		To [°C]	Qm [kg/h]	To [°C]	Qm [kg/h]	To [°C]	Qm [kg/h]	To [°C]	Qm [kg/h]	To [°C]	Qm [kg/h]	To [°C]	Qm [kg/h]
11,0	13,1	49,8	462	33,7	433	27,0	768	33,9	432	16,5	414	31,1	436
12,0	14,2	53,0	503	36,9	470	30,2	837	36,9	470	19,4	450	34,1	474
13,0	15,3	56,0	545	39,9	508	33,1	908	39,7	508	22,1	487	36,9	513
14,0	16,4	58,9	587	42,8	546	35,9	979	42,4	547	24,7	524	39,6	553
15,0	17,5	61,7	630	45,5	585	38,5	1051	44,9	586	27,2	561	42,1	591
16,0	18,6	64,3	673	48,1	624	41,0	1125	47,3	626	29,5	599	44,6	632
17,0	19,7	66,8	718	50,6	663	43,4	1201	49,6	666	31,8	637	46,9	675
18,0	20,8	69,2	763	53,0	703	45,7	1278	51,8	707	33,9	676	49,1	713
19,0	21,9	71,5	809	55,3	743	48,0	1357	54,0	748	36,0	715	51,2	758
20,0	23,0	73,7	856	57,5	784	50,1	1439	56,0	790	37,9	755	53,3	798
21,0	24,1	75,9	904	59,7	825	52,1	1522	58,0	833	39,9	796	55,2	841
22,0	25,2	77,9	953	61,7	867	54,1	1608	59,9	876	41,7	837	57,1	887
23,0	26,3	79,9	1004	63,7	910	56,0	1698	61,7	921	43,5	879	58,9	935
24,0	27,4	81,9	1056	65,7	953	57,9	1790	63,4	966	45,2	921	60,7	981
25,0	28,5	83,7	1110	67,6	997	59,7	1887	65,2	1012	46,9	965	62,4	1030
26,0	29,6	85,6	1165	69,4	1042	61,4	1988	66,8	1059	48,5	1009	64,1	1074
27,0	30,7	87,3	1223	71,2	1088	63,1	2096	68,4	1108	50,1	1054	65,7	1130
28,0	31,8	89,0	1283	72,9	1134	64,7	2211	70,0	1157	51,6	1100	67,2	1180
29,0	32,9	90,7	1346	74,6	1182	66,3	2336	71,5	1208	53,1	1147	68,7	1233
30,0	34,0	92,3	1413	76,2	1230	67,8	2475	72,9	1261	54,6	1196	70,2	1290
31,0	35,1	93,9	1484	77,8	1280	69,3	2637	74,4	1315	56,0	1246	71,6	1337
32,0	36,2	95,4	1562	79,4	1332	70,7	2845	75,7	1372	57,4	1297	73,0	1401
33,0	37,3	96,9	1649	80,9	1384	72,1	3294	77,1	1431	58,7	1350	74,3	1471
34,0	38,4	98,3	1750	82,4	1439			78,4	1493	60,1	1405	75,6	1529
35,0	39,5	99,2	1837	83,9	1495			79,7	1558	61,4	1463	76,9	1610
36,0	40,6	99,5	1883	85,3	1554			80,9	1628	62,6	1523	78,1	1677
37,0	41,7	99,7	1932	86,7	1616			82,1	1703	63,8	1586	79,2	1776
38,0	42,8			88,0	1681			83,2	1787	65,0	1654	80,3	1887
39,0	43,9			89,4	1750			84,3	1883	66,2	1727		
40,0	45,0			90,7	1825			85,3	2003	67,4	1806		
41,0	46,1			92,0	1907			86,1	2201	68,5	1896		
42,0	47,2			93,2	2000					69,6	2004		
43,0	48,3			94,4	2114					70,7	2152		
44,0	49,4			95,6	2286								
45,0	50,5												
46,0	51,6												
47,0	52,7												
48,0	53,8												
49,0	54,9												
50,0	56,0												
51,0	57,1												
52,0	58,2												
53,0	59,3												
54,0	60,4												
55,0	61,5												
56,0	62,6												
57,0	63,7												
58,0	64,8												
59,0	65,9												
60,0	67,0												

Continued

TABLE 7: Maximum discharge capacity of valves 3060/23 ; 3060/33

Pset [bar]	Po [barsass]	R449A		R450A		R452A		R507		R1234ze		R744 (CO2)	
		To [°C]	Qm [kg/h]	To [°C]	Qm [kg/h]	To [°C]	Qm [kg/h]	To [°C]	Qm [kg/h]	To [°C]	Qm [kg/h]	To [°C]	Qm [kg/h]
11,0	13,1	31,0	438	55,2	473	28,7	479	25,8	475	61,1	474	-32,5	349
12,0	14,2	34,0	477	58,5	516	31,8	521	28,9	517	64,5	517	-30,2	379
13,0	15,3	36,9	516	61,7	557	34,6	564	31,9	561	67,7	560	-27,9	408
14,0	16,4	39,5	556	64,6	602	37,4	608	34,7	605	70,8	604	-25,8	438
15,0	17,5	42,1	596	67,5	646	39,9	652	37,3	650	73,7	649	-23,8	468
16,0	18,6	44,5	636	70,1	690	42,4	698	39,8	695	76,5	694	-21,8	498
17,0	19,7	46,8	678	72,7	737	44,7	744	42,2	742	79,1	741	-20,0	528
18,0	20,8	49,1	719	75,2	784	47,0	790	44,5	790	81,7	789	-18,2	559
19,0	21,9	51,2	762	77,5	830	49,1	838	46,8	839	84,1	838	-16,5	589
20,0	23,0	53,2	805	79,8	880	51,2	887	48,9	889	86,4	888	-14,9	620
21,0	24,1	55,2	849	82,0	933	53,2	937	50,9	941	88,7	940	-13,3	651
22,0	25,2	57,1	894	84,1	983	55,1	988	52,9	995	90,9	994	-11,7	682
23,0	26,3	58,9	940	86,2	1037	57,0	1040	54,8	1050	93,0	1050	-10,2	713
24,0	27,4	60,7	987	88,1	1096	58,7	1094	56,7	1108	95,0	1107	-8,8	745
25,0	28,5	62,4	1035	90,1	1149	60,5	1150	58,5	1168	97,0	1168	-7,4	777
26,0	29,6	64,1	1084	91,9	1206	62,1	1208	60,2	1231	98,9	1232	-6,0	809
27,0	30,7	65,7	1134	93,7	1280	63,7	1268	61,9	1298	100,7	1300	-4,7	841
28,0	31,8	67,2	1186	95,4	1348	65,3	1331	63,5	1370	102,5	1374	-3,4	874
29,0	32,9	68,7	1240	97,1	1421	66,8	1397	65,1	1449	104,3	1455	-2,2	906
30,0	34,0	70,2	1295	98,8	1482	68,3	1468	66,6	1538	106,0	1548	-0,9	940
31,0	35,1	71,6	1353	100,3	1569	69,7	1546	68,1	1643	107,6	1663	0,3	973
32,0	36,2	73,0	1414	101,9	1693	68,3	4047	69,6	1785	109,2	1865	1,4	1007
33,0	37,3	74,3	1474			72,3	1723					2,6	1041
34,0	38,4	75,6	1548			73,5	1838					3,7	1075
35,0	39,5	76,9	1622									4,8	1110
36,0	40,6	78,1	1703									5,9	1145
37,0	41,7	79,2	1795									6,9	1181
38,0	42,8	80,3	1906									8,0	1217
39,0	43,9	80,7	2396									9,0	1253
40,0	45,0											10,0	1290
41,0	46,1											11,0	1328
42,0	47,2											11,9	1366
43,0	48,3											12,9	1404
44,0	49,4											13,8	1443
45,0	50,5											14,7	1483
46,0	51,6											15,6	1523
47,0	52,7											16,5	1565
48,0	53,8											17,3	1607
49,0	54,9											18,2	1649
50,0	56,0											19,0	1693
51,0	57,1												
52,0	58,2												
53,0	59,3												
54,0	60,4												
55,0	61,5												
56,0	62,6												
57,0	63,7												
58,0	64,8												
59,0	65,9												
60,0	67,0												

TABLE 8: Maximum discharge capacity of valves 3060/24 ; 3060/34

Pset [bar]	Po [barsass]	R134a		R22		R404A		R407C		R410A		R448A	
		To [°C]	Qm [kg/h]	To [°C]	Qm [kg/h]	To [°C]	Qm [kg/h]	To [°C]	Qm [kg/h]	To [°C]	Qm [kg/h]	To [°C]	Qm [kg/h]
11,0	13,1	49,8	506	33,7	474	27,0	768	33,9	473	16,5	453	31,1	477
12,0	14,2	53,0	551	36,9	515	30,2	837	36,9	514	19,4	493	34,1	519
13,0	15,3	56,0	597	39,9	556	33,1	908	39,7	556	22,1	533	36,9	562
14,0	16,4	58,9	643	42,8	598	35,9	979	42,4	599	24,7	573	39,6	605
15,0	17,5	61,7	690	45,5	640	38,5	1051	44,9	642	27,2	614	42,1	647
16,0	18,6	64,3	737	48,1	683	41,0	1125	47,3	685	29,5	656	44,6	693
17,0	19,7	66,8	786	50,6	726	43,4	1201	49,6	729	31,8	698	46,9	739
18,0	20,8	69,2	835	53,0	770	45,7	1278	51,8	774	33,9	740	49,1	781
19,0	21,9	71,5	886	55,3	814	48,0	1357	54,0	819	36,0	783	51,2	831
20,0	23,0	73,7	937	57,5	859	50,1	1439	56,0	865	37,9	827	53,3	875
21,0	24,1	75,9	990	59,7	904	52,1	1522	58,0	912	39,9	871	55,2	921
22,0	25,2	77,9	1044	61,7	950	54,1	1608	59,9	960	41,7	916	57,1	971
23,0	26,3	79,9	1099	63,7	996	56,0	1698	61,7	1008	43,5	962	58,9	1024
24,0	27,4	81,9	1156	65,7	1044	57,9	1790	63,4	1058	45,2	1009	60,7	1075
25,0	28,5	83,7	1215	67,6	1092	59,7	1887	65,2	1109	46,9	1056	62,4	1128
26,0	29,6	85,6	1276	69,4	1141	61,4	1988	66,8	1160	48,5	1105	64,1	1176
27,0	30,7	87,3	1339	71,2	1191	63,1	2096	68,4	1213	50,1	1154	65,7	1237
28,0	31,8	89,0	1405	72,9	1242	64,7	2211	70,0	1268	51,6	1205	67,2	1292
29,0	32,9	90,7	1474	74,6	1294	66,3	2336	71,5	1323	53,1	1257	68,7	1350
30,0	34,0	92,3	1547	76,2	1348	67,8	2475	72,9	1381	54,6	1310	70,2	1412
31,0	35,1	93,9	1626	77,8	1402	69,3	2637	74,4	1441	56,0	1364	71,6	1464
32,0	36,2	95,4	1711	79,4	1458	70,7	2845	75,7	1503	57,4	1421	73,0	1535
33,0	37,3	96,9	1806	80,9	1516	72,1	3294	77,1	1567	58,7	1479	74,3	1611
34,0	38,4	98,3	1916	82,4	1576			78,4	1635	60,1	1539	75,6	1674
35,0	39,5	99,2	2011	83,9	1638			79,7	1706	61,4	1602	76,9	1764
36,0	40,6	99,5	2063	85,3	1702			80,9	1783	62,6	1668	78,1	1837
37,0	41,7	99,7	2116	86,7	1770			82,1	1865	63,8	1737	79,2	1945
38,0	42,8			88,0	1841			83,2	1957	65,0	1811	80,3	2066
39,0	43,9			89,4	1917			84,3	2062	66,2	1891		
40,0	45,0			90,7	1998			85,3	2194	67,4	1978		
41,0	46,1			92,0	2088			86,1	2410	68,5	2077		
42,0	47,2			93,2	2191					69,6	2195		
43,0	48,3			94,4	2315					70,7	2357		
44,0	49,4			95,6	2503								
45,0	50,5												
46,0	51,6												
47,0	52,7												
48,0	53,8												
49,0	54,9												
50,0	56,0												
51,0	57,1												
52,0	58,2												
53,0	59,3												
54,0	60,4												
55,0	61,5												
56,0	62,6												
57,0	63,7												
58,0	64,8												
59,0	65,9												
60,0	67,0												

Continued

TABLE 8: Maximum discharge capacity of valves 3060/24 ; 3060/34

Pset [bar]	Po [barsass]	R449A		R450A		R452A		R507		R1234ze		R744 (CO2)	
		To [°C]	Qm [kg/h]	To [°C]	Qm [kg/h]	To [°C]	Qm [kg/h]	To [°C]	Qm [kg/h]	To [°C]	Qm [kg/h]	To [°C]	Qm [kg/h]
11,0	13,1	31,0	480	55,2	518	28,7	524	25,8	520	61,1	519	-32,5	383
12,0	14,2	34,0	522	58,5	565	31,8	571	28,9	567	64,5	566	-30,2	415
13,0	15,3	36,9	565	61,7	610	34,6	618	31,9	614	67,7	613	-27,9	447
14,0	16,4	39,5	609	64,6	660	37,4	666	34,7	662	70,8	661	-25,8	480
15,0	17,5	42,1	652	67,5	707	39,9	715	37,3	711	73,7	710	-23,8	513
16,0	18,6	44,5	697	70,1	755	42,4	764	39,8	762	76,5	761	-21,8	545
17,0	19,7	46,8	742	72,7	807	44,7	814	42,2	813	79,1	812	-20,0	579
18,0	20,8	49,1	788	75,2	859	47,0	866	44,5	865	81,7	864	-18,2	612
19,0	21,9	51,2	834	77,5	909	49,1	918	46,8	919	84,1	918	-16,5	645
20,0	23,0	53,2	882	79,8	963	51,2	971	48,9	974	86,4	973	-14,9	679
21,0	24,1	55,2	930	82,0	1022	53,2	1026	50,9	1031	88,7	1030	-13,3	713
22,0	25,2	57,1	979	84,1	1077	55,1	1082	52,9	1089	90,9	1089	-11,7	747
23,0	26,3	58,9	1029	86,2	1136	57,0	1139	54,8	1150	93,0	1149	-10,2	781
24,0	27,4	60,7	1081	88,1	1200	58,7	1198	56,7	1213	95,0	1213	-8,8	816
25,0	28,5	62,4	1133	90,1	1258	60,5	1259	58,5	1279	97,0	1279	-7,4	851
26,0	29,6	64,1	1187	91,9	1320	62,1	1323	60,2	1348	98,9	1349	-6,0	886
27,0	30,7	65,7	1242	93,7	1402	63,7	1389	61,9	1422	100,7	1424	-4,7	921
28,0	31,8	67,2	1299	95,4	1476	65,3	1458	63,5	1501	102,5	1504	-3,4	957
29,0	32,9	68,7	1358	97,1	1556	66,8	1530	65,1	1587	104,3	1593	-2,2	993
30,0	34,0	70,2	1418	98,8	1623	68,3	1608	66,6	1684	106,0	1695	-0,9	1029
31,0	35,1	71,6	1481	100,3	1719	69,7	1693	68,1	1799	107,6	1821	0,3	1066
32,0	36,2	73,0	1549	101,9	1854	68,3	4432	69,6	1955	109,2	2043	1,4	1103
33,0	37,3	74,3	1615			72,3	1887					2,6	1140
34,0	38,4	75,6	1695			73,5	2013					3,7	1178
35,0	39,5	76,9	1776									4,8	1216
36,0	40,6	78,1	1865									5,9	1254
37,0	41,7	79,2	1966									6,9	1293
38,0	42,8	80,3	2088									8,0	1333
39,0	43,9	80,7	2624									9,0	1373
40,0	45,0											10,0	1413
41,0	46,1											11,0	1454
42,0	47,2											11,9	1496
43,0	48,3											12,9	1538
44,0	49,4											13,8	1581
45,0	50,5											14,7	1624
46,0	51,6											15,6	1668
47,0	52,7											16,5	1714
48,0	53,8											17,3	1759
49,0	54,9											18,2	1806
50,0	56,0											19,0	1854
51,0	57,1												
52,0	58,2												
53,0	59,3												
54,0	60,4												
55,0	61,5												
56,0	62,6												
57,0	63,7												
58,0	64,8												
59,0	65,9												
60,0	67,0												

TABLE 9: Maximum discharge capacity of valves 3060/45

Pset [bar]	Po [barsass]	R134a		R22		R404A		R407C		R410A		R448A	
		To [°C]	Qm [kg/h]	To [°C]	Qm [kg/h]	To [°C]	Qm [kg/h]	To [°C]	Qm [kg/h]	To [°C]	Qm [kg/h]	To [°C]	Qm [kg/h]
11,0	13,1	49,8	607	33,7	569	27,0	768	33,9	567	16,5	544	31,1	573
12,0	14,2	53,0	661	36,9	618	30,2	837	36,9	617	19,4	591	34,1	622
13,0	15,3	56,0	716	39,9	667	33,1	908	39,7	667	22,1	639	36,9	674
14,0	16,4	58,9	771	42,8	718	35,9	979	42,4	718	24,7	688	39,6	726
15,0	17,5	61,7	827	45,5	768	38,5	1051	44,9	770	27,2	737	42,1	776
16,0	18,6	64,3	885	48,1	819	41,0	1125	47,3	822	29,5	787	44,6	831
17,0	19,7	66,8	943	50,6	871	43,4	1201	49,6	875	31,8	837	46,9	886
18,0	20,8	69,2	1002	53,0	923	45,7	1278	51,8	928	33,9	888	49,1	937
19,0	21,9	71,5	1063	55,3	976	48,0	1357	54,0	983	36,0	940	51,2	996
20,0	23,0	73,7	1124	57,5	1030	50,1	1439	56,0	1038	37,9	992	53,3	1049
21,0	24,1	75,9	1188	59,7	1084	52,1	1522	58,0	1094	39,9	1045	55,2	1105
22,0	25,2	77,9	1252	61,7	1139	54,1	1608	59,9	1151	41,7	1099	57,1	1165
23,0	26,3	79,9	1319	63,7	1195	56,0	1698	61,7	1210	43,5	1154	58,9	1229
24,0	27,4	81,9	1387	65,7	1252	57,9	1790	63,4	1269	45,2	1210	60,7	1289
25,0	28,5	83,7	1458	67,6	1310	59,7	1887	65,2	1330	46,9	1267	62,4	1353
26,0	29,6	85,6	1530	69,4	1369	61,4	1988	66,8	1392	48,5	1325	64,1	1411
27,0	30,7	87,3	1606	71,2	1429	63,1	2096	68,4	1455	50,1	1384	65,7	1484
28,0	31,8	89,0	1685	72,9	1490	64,7	2211	70,0	1520	51,6	1445	67,2	1550
29,0	32,9	90,7	1768	74,6	1552	66,3	2336	71,5	1587	53,1	1507	68,7	1620
30,0	34,0	92,3	1856	76,2	1616	67,8	2475	72,9	1657	54,6	1571	70,2	1694
31,0	35,1	93,9	1950	77,8	1682	69,3	2637	74,4	1728	56,0	1636	71,6	1756
32,0	36,2	95,4	2052	79,4	1749	70,7	2845	75,7	1802	57,4	1704	73,0	1841
33,0	37,3	96,9	2166	80,9	1819	72,1	3294	77,1	1880	58,7	1774	74,3	1933
34,0	38,4	98,3	2298	82,4	1890			78,4	1961	60,1	1846	75,6	2008
35,0	39,5	99,2	2413	83,9	1965			79,7	2047	61,4	1922	76,9	2116
36,0	40,6	99,5	2474	85,3	2042			80,9	2138	62,6	2001	78,1	2204
37,0	41,7	99,7	2538	86,7	2123			82,1	2238	63,8	2084	79,2	2333
38,0	42,8			88,0	2208			83,2	2347	65,0	2173	80,3	2478
39,0	43,9			89,4	2299			84,3	2474	66,2	2268		
40,0	45,0			90,7	2397			85,3	2631	67,4	2373		
41,0	46,1			92,0	2505			86,1	2891	68,5	2491		
42,0	47,2			93,2	2628					69,6	2633		
43,0	48,3			94,4	2777					70,7	2827		
44,0	49,4			95,6	3003								
45,0	50,5												
46,0	51,6												
47,0	52,7												
48,0	53,8												
49,0	54,9												
50,0	56,0												
51,0	57,1												
52,0	58,2												
53,0	59,3												
54,0	60,4												
55,0	61,5												
56,0	62,6												
57,0	63,7												
58,0	64,8												
59,0	65,9												
60,0	67,0												

Continued

TABLE 9: Maximum discharge capacity of valves 3060/45

Pset [bar]	Po [barsass]	R449A		R450A		R452A		R507		R1234ze		R744 (CO2)	
		To [°C]	Qm [kg/h]	To [°C]	Qm [kg/h]	To [°C]	Qm [kg/h]	To [°C]	Qm [kg/h]	To [°C]	Qm [kg/h]	To [°C]	Qm [kg/h]
11,0	13,1	31,0	576	55,2	621	28,7	629	25,8	624	61,1	623	-32,5	459
12,0	14,2	34,0	627	58,5	678	31,8	685	28,9	680	64,5	679	-30,2	498
13,0	15,3	36,9	678	61,7	732	34,6	741	31,9	736	67,7	735	-27,9	537
14,0	16,4	39,5	730	64,6	791	37,4	799	34,7	794	70,8	793	-25,8	576
15,0	17,5	42,1	783	67,5	848	39,9	857	37,3	853	73,7	852	-23,8	615
16,0	18,6	44,5	836	70,1	906	42,4	916	39,8	914	76,5	912	-21,8	654
17,0	19,7	46,8	890	72,7	968	44,7	977	42,2	975	79,1	974	-20,0	694
18,0	20,8	49,1	945	75,2	1030	47,0	1038	44,5	1038	81,7	1037	-18,2	734
19,0	21,9	51,2	1001	77,5	1091	49,1	1101	46,8	1102	84,1	1101	-16,5	774
20,0	23,0	53,2	1058	79,8	1155	51,2	1165	48,9	1168	86,4	1167	-14,9	814
21,0	24,1	55,2	1116	82,0	1225	53,2	1230	50,9	1236	88,7	1235	-13,3	855
22,0	25,2	57,1	1174	84,1	1292	55,1	1298	52,9	1307	90,9	1306	-11,7	896
23,0	26,3	58,9	1235	86,2	1363	57,0	1367	54,8	1379	93,0	1379	-10,2	937
24,0	27,4	60,7	1296	88,1	1440	58,7	1437	56,7	1455	95,0	1455	-8,8	979
25,0	28,5	62,4	1359	90,1	1509	60,5	1511	58,5	1534	97,0	1534	-7,4	1020
26,0	29,6	64,1	1424	91,9	1584	62,1	1587	60,2	1617	98,9	1618	-6,0	1062
27,0	30,7	65,7	1490	93,7	1682	63,7	1666	61,9	1705	100,7	1708	-4,7	1105
28,0	31,8	67,2	1558	95,4	1770	65,3	1748	63,5	1800	102,5	1804	-3,4	1148
29,0	32,9	68,7	1629	97,1	1867	66,8	1835	65,1	1904	104,3	1911	-2,2	1191
30,0	34,0	70,2	1701	98,8	1947	68,3	1928	66,6	2020	106,0	2033	-0,9	1234
31,0	35,1	71,6	1777	100,3	2061	69,7	2031	68,1	2158	107,6	2184	0,3	1278
32,0	36,2	73,0	1858	101,9	2224	68,3	5316	69,6	2345	109,2	2450	1,4	1323
33,0	37,3	74,3	1937			72,3	2263					2,6	1367
34,0	38,4	75,6	2033			73,5	2415					3,7	1413
35,0	39,5	76,9	2131									4,8	1458
36,0	40,6	78,1	2237									5,9	1505
37,0	41,7	79,2	2358									6,9	1551
38,0	42,8	80,3	2504									8,0	1599
39,0	43,9	80,7	3148									9,0	1647
40,0	45,0											10,0	1695
41,0	46,1											11,0	1744
42,0	47,2											11,9	1794
43,0	48,3											12,9	1845
44,0	49,4											13,8	1896
45,0	50,5											14,7	1948
46,0	51,6											15,6	2001
47,0	52,7											16,5	2055
48,0	53,8											17,3	2110
49,0	54,9											18,2	2167
50,0	56,0											19,0	2224
51,0	57,1												
52,0	58,2												
53,0	59,3												
54,0	60,4												
55,0	61,5												
56,0	62,6												
57,0	63,7												
58,0	64,8												
59,0	65,9												
60,0	67,0												

TABLE 10: Maximum discharge capacity of valves 3060/36

Pset [bar]	Po [barsass]	R134a		R22		R404A		R407C		R410A		R448A	
		To [°C]	Qm [kg/h]	To [°C]	Qm [kg/h]	To [°C]	Qm [kg/h]	To [°C]	Qm [kg/h]	To [°C]	Qm [kg/h]	To [°C]	Qm [kg/h]
11,0	13,1	49,8	1376	33,7	1289	27,0	768	33,9	1286	16,5	1232	31,1	1298
12,0	14,2	53,0	1498	36,9	1400	30,2	837	36,9	1398	19,4	1340	34,1	1410
13,0	15,3	56,0	1622	39,9	1513	33,1	908	39,7	1513	22,1	1449	36,9	1528
14,0	16,4	58,9	1748	42,8	1626	35,9	979	42,4	1628	24,7	1559	39,6	1645
15,0	17,5	61,7	1875	45,5	1741	38,5	1051	44,9	1745	27,2	1670	42,1	1760
16,0	18,6	64,3	2005	48,1	1857	41,0	1125	47,3	1863	29,5	1783	44,6	1883
17,0	19,7	66,8	2137	50,6	1974	43,4	1201	49,6	1983	31,8	1897	46,9	2009
18,0	20,8	69,2	2271	53,0	2093	45,7	1278	51,8	2104	33,9	2013	49,1	2124
19,0	21,9	71,5	2409	55,3	2213	48,0	1357	54,0	2228	36,0	2130	51,2	2258
20,0	23,0	73,7	2549	57,5	2334	50,1	1439	56,0	2353	37,9	2249	53,3	2378
21,0	24,1	75,9	2692	59,7	2457	52,1	1522	58,0	2480	39,9	2369	55,2	2504
22,0	25,2	77,9	2838	61,7	2582	54,1	1608	59,9	2610	41,7	2492	57,1	2640
23,0	26,3	79,9	2989	63,7	2709	56,0	1698	61,7	2742	43,5	2616	58,9	2785
24,0	27,4	81,9	3144	65,7	2838	57,9	1790	63,4	2876	45,2	2743	60,7	2922
25,0	28,5	83,7	3304	67,6	2969	59,7	1887	65,2	3014	46,9	2872	62,4	3067
26,0	29,6	85,6	3469	69,4	3103	61,4	1988	66,8	3154	48,5	3004	64,1	3199
27,0	30,7	87,3	3641	71,2	3238	63,1	2096	68,4	3298	50,1	3138	65,7	3364
28,0	31,8	89,0	3820	72,9	3377	64,7	2211	70,0	3446	51,6	3276	67,2	3513
29,0	32,9	90,7	4008	74,6	3519	66,3	2336	71,5	3598	53,1	3417	68,7	3671
30,0	34,0	92,3	4207	76,2	3664	67,8	2475	72,9	3755	54,6	3561	70,2	3840
31,0	35,1	93,9	4420	77,8	3812	69,3	2637	74,4	3917	56,0	3709	71,6	3981
32,0	36,2	95,4	4651	79,4	3965	70,7	2845	75,7	4085	57,4	3862	73,0	4172
33,0	37,3	96,9	4909	80,9	4122	72,1	3294	77,1	4261	58,7	4021	74,3	4380
34,0	38,4	98,3	5210	82,4	4285			78,4	4445	60,1	4185	75,6	4552
35,0	39,5	99,2	5469	83,9	4453			79,7	4639	61,4	4356	76,9	4795
36,0	40,6	99,5	5608	85,3	4628			80,9	4847	62,6	4535	78,1	4995
37,0	41,7	99,7	5753	86,7	4812			82,1	5072	63,8	4724	79,2	5287
38,0	42,8			88,0	5005			83,2	5321	65,0	4925	80,3	5618
39,0	43,9			89,4	5211			84,3	5607	66,2	5141		
40,0	45,0			90,7	5433			85,3	5964	67,4	5378		
41,0	46,1			92,0	5677			86,1	6552	68,5	5647		
42,0	47,2			93,2	5956					69,6	5967		
43,0	48,3			94,4	6295					70,7	6408		
44,0	49,4			95,6	6806								
45,0	50,5												
46,0	51,6												
47,0	52,7												
48,0	53,8												
49,0	54,9												
50,0	56,0												
51,0	57,1												
52,0	58,2												
53,0	59,3												
54,0	60,4												
55,0	61,5												
56,0	62,6												
57,0	63,7												
58,0	64,8												
59,0	65,9												
60,0	67,0												

Continued

TABLE 10: Maximum discharge capacity of valves 3060/36

Pset [bar]	Po [barsass]	R449A		R450A		R452A		R507		R1234ze		R744 (CO2)	
		To [°C]	Qm [kg/h]	To [°C]	Qm [kg/h]	To [°C]	Qm [kg/h]	To [°C]	Qm [kg/h]	To [°C]	Qm [kg/h]	To [°C]	Qm [kg/h]
11,0	13,1	31,0	1305	55,2	1407	28,7	1426	25,8	1413	61,1	1411	-32,5	1040
12,0	14,2	34,0	1420	58,5	1536	31,8	1552	28,9	1540	64,5	1538	-30,2	1128
13,0	15,3	36,9	1537	61,7	1659	34,6	1680	31,9	1669	67,7	1667	-27,9	1216
14,0	16,4	39,5	1654	64,6	1793	37,4	1811	34,7	1801	70,8	1798	-25,8	1305
15,0	17,5	42,1	1774	67,5	1923	39,9	1943	37,3	1934	73,7	1932	-23,8	1394
16,0	18,6	44,5	1895	70,1	2054	42,4	2077	39,8	2071	76,5	2068	-21,8	1483
17,0	19,7	46,8	2017	72,7	2195	44,7	2214	42,2	2210	79,1	2207	-20,0	1573
18,0	20,8	49,1	2142	75,2	2336	47,0	2353	44,5	2352	81,7	2349	-18,2	1663
19,0	21,9	51,2	2269	77,5	2472	49,1	2495	46,8	2498	84,1	2495	-16,5	1754
20,0	23,0	53,2	2397	79,8	2619	51,2	2640	48,9	2648	86,4	2645	-14,9	1846
21,0	24,1	55,2	2528	82,0	2778	53,2	2789	50,9	2802	88,7	2800	-13,3	1938
22,0	25,2	57,1	2662	84,1	2928	55,1	2941	52,9	2961	90,9	2960	-11,7	2031
23,0	26,3	58,9	2798	86,2	3089	57,0	3097	54,8	3126	93,0	3125	-10,2	2124
24,0	27,4	60,7	2938	88,1	3264	58,7	3258	56,7	3298	95,0	3297	-8,8	2218
25,0	28,5	62,4	3081	90,1	3421	60,5	3424	58,5	3477	97,0	3478	-7,4	2313
26,0	29,6	64,1	3227	91,9	3590	62,1	3596	60,2	3665	98,9	3668	-6,0	2408
27,0	30,7	65,7	3377	93,7	3812	63,7	3775	61,9	3865	100,7	3871	-4,7	2504
28,0	31,8	67,2	3532	95,4	4012	65,3	3963	63,5	4080	102,5	4090	-3,4	2601
29,0	32,9	68,7	3691	97,1	4231	66,8	4160	65,1	4315	104,3	4331	-2,2	2699
30,0	34,0	70,2	3856	98,8	4413	68,3	4371	66,6	4579	106,0	4608	-0,9	2798
31,0	35,1	71,6	4028	100,3	4672	69,7	4603	68,1	4892	107,6	4951	0,3	2897
32,0	36,2	73,0	4211	101,9	5042	68,3	12049	69,6	5315	109,2	5554	1,4	2998
33,0	37,3	74,3	4390			72,3	5130					2,6	3099
34,0	38,4	75,6	4608			73,5	5474					3,7	3202
35,0	39,5	76,9	4829									4,8	3306
36,0	40,6	78,1	5070									5,9	3410
37,0	41,7	79,2	5344									6,9	3516
38,0	42,8	80,3	5677									8,0	3624
39,0	43,9	80,7	7134									9,0	3732
40,0	45,0											10,0	3842
41,0	46,1											11,0	3953
42,0	47,2											11,9	4066
43,0	48,3											12,9	4181
44,0	49,4											13,8	4297
45,0	50,5											14,7	4416
46,0	51,6											15,6	4536
47,0	52,7											16,5	4659
48,0	53,8											17,3	4784
49,0	54,9											18,2	4911
50,0	56,0											19,0	5041
51,0	57,1												
52,0	58,2												
53,0	59,3												
54,0	60,4												
55,0	61,5												
56,0	62,6												
57,0	63,7												
58,0	64,8												
59,0	65,9												
60,0	67,0												

TABLE 11: Maximum discharge capacity of valves 3060/46

Pset [bar]	Po [barsass]	R134a		R22		R404A		R407C		R410A		R448A	
		To [°C]	Qm [kg/h]	To [°C]	Qm [kg/h]	To [°C]	Qm [kg/h]	To [°C]	Qm [kg/h]	To [°C]	Qm [kg/h]	To [°C]	Qm [kg/h]
11,0	13,1	49,8	1391	33,7	1303	27,0	768	33,9	1300	16,5	1246	31,1	1312
12,0	14,2	53,0	1514	36,9	1415	30,2	837	36,9	1414	19,4	1355	34,1	1425
13,0	15,3	56,0	1639	39,9	1529	33,1	908	39,7	1529	22,1	1465	36,9	1544
14,0	16,4	58,9	1767	42,8	1644	35,9	979	42,4	1646	24,7	1576	39,6	1663
15,0	17,5	61,7	1896	45,5	1760	38,5	1051	44,9	1764	27,2	1689	42,1	1779
16,0	18,6	64,3	2027	48,1	1877	41,0	1125	47,3	1883	29,5	1802	44,6	1904
17,0	19,7	66,8	2160	50,6	1996	43,4	1201	49,6	2004	31,8	1918	46,9	2031
18,0	20,8	69,2	2296	53,0	2115	45,7	1278	51,8	2127	33,9	2035	49,1	2147
19,0	21,9	71,5	2435	55,3	2237	48,0	1357	54,0	2252	36,0	2153	51,2	2283
20,0	23,0	73,7	2576	57,5	2360	50,1	1439	56,0	2378	37,9	2273	53,3	2403
21,0	24,1	75,9	2721	59,7	2484	52,1	1522	58,0	2507	39,9	2395	55,2	2532
22,0	25,2	77,9	2869	61,7	2610	54,1	1608	59,9	2638	41,7	2519	57,1	2668
23,0	26,3	79,9	3022	63,7	2739	56,0	1698	61,7	2772	43,5	2645	58,9	2815
24,0	27,4	81,9	3178	65,7	2869	57,9	1790	63,4	2908	45,2	2773	60,7	2954
25,0	28,5	83,7	3340	67,6	3001	59,7	1887	65,2	3047	46,9	2903	62,4	3101
26,0	29,6	85,6	3507	69,4	3136	61,4	1988	66,8	3189	48,5	3036	64,1	3233
27,0	30,7	87,3	3680	71,2	3274	63,1	2096	68,4	3334	50,1	3172	65,7	3401
28,0	31,8	89,0	3861	72,9	3414	64,7	2211	70,0	3484	51,6	3311	67,2	3551
29,0	32,9	90,7	4051	74,6	3557	66,3	2336	71,5	3637	53,1	3454	68,7	3711
30,0	34,0	92,3	4253	76,2	3704	67,8	2475	72,9	3796	54,6	3599	70,2	3882
31,0	35,1	93,9	4468	77,8	3854	69,3	2637	74,4	3960	56,0	3750	71,6	4024
32,0	36,2	95,4	4702	79,4	4008	70,7	2845	75,7	4130	57,4	3904	73,0	4218
33,0	37,3	96,9	4962	80,9	4167	72,1	3294	77,1	4307	58,7	4064	74,3	4428
34,0	38,4	98,3	5266	82,4	4331			78,4	4493	60,1	4230	75,6	4601
35,0	39,5	99,2	5528	83,9	4501			79,7	4690	61,4	4403	76,9	4847
36,0	40,6	99,5	5669	85,3	4679			80,9	4900	62,6	4584	78,1	5049
37,0	41,7	99,7	5816	86,7	4864			82,1	5127	63,8	4775	79,2	5345
38,0	42,8			88,0	5059			83,2	5379	65,0	4978	80,3	5679
39,0	43,9			89,4	5267			84,3	5668	66,2	5197		
40,0	45,0			90,7	5492			85,3	6029	67,4	5437		
41,0	46,1			92,0	5739			86,1	6624	68,5	5708		
42,0	47,2			93,2	6020					69,6	6032		
43,0	48,3			94,4	6364					70,7	6478		
44,0	49,4			95,6	6880								
45,0	50,5												
46,0	51,6												
47,0	52,7												
48,0	53,8												
49,0	54,9												
50,0	56,0												
51,0	57,1												
52,0	58,2												
53,0	59,3												
54,0	60,4												
55,0	61,5												
56,0	62,6												
57,0	63,7												
58,0	64,8												
59,0	65,9												
60,0	67,0												

Continued

TABLE 11: Maximum discharge capacity of valves 3060/46

Pset [bar]	Po [barsass]	R449A		R450A		R452A		R507		R1234ze		R744 (CO2)	
		To [°C]	Qm [kg/h]	To [°C]	Qm [kg/h]	To [°C]	Qm [kg/h]	To [°C]	Qm [kg/h]	To [°C]	Qm [kg/h]	To [°C]	Qm [kg/h]
11,0	13,1	31,0	1320	55,2	1423	28,7	1441	25,8	1429	61,1	1427	-32,5	1052
12,0	14,2	34,0	1436	58,5	1553	31,8	1569	28,9	1557	64,5	1555	-30,2	1140
13,0	15,3	36,9	1553	61,7	1677	34,6	1699	31,9	1687	67,7	1685	-27,9	1229
14,0	16,4	39,5	1672	64,6	1813	37,4	1830	34,7	1820	70,8	1818	-25,8	1319
15,0	17,5	42,1	1793	67,5	1944	39,9	1964	37,3	1955	73,7	1953	-23,8	1409
16,0	18,6	44,5	1915	70,1	2076	42,4	2100	39,8	2093	76,5	2090	-21,8	1499
17,0	19,7	46,8	2039	72,7	2219	44,7	2238	42,2	2234	79,1	2231	-20,0	1590
18,0	20,8	49,1	2165	75,2	2361	47,0	2379	44,5	2378	81,7	2375	-18,2	1681
19,0	21,9	51,2	2293	77,5	2499	49,1	2523	46,8	2525	84,1	2523	-16,5	1773
20,0	23,0	53,2	2423	79,8	2647	51,2	2669	48,9	2677	86,4	2674	-14,9	1866
21,0	24,1	55,2	2556	82,0	2808	53,2	2819	50,9	2833	88,7	2830	-13,3	1959
22,0	25,2	57,1	2691	84,1	2960	55,1	2973	52,9	2994	90,9	2992	-11,7	2053
23,0	26,3	58,9	2829	86,2	3123	57,0	3131	54,8	3160	93,0	3159	-10,2	2147
24,0	27,4	60,7	2970	88,1	3299	58,7	3294	56,7	3334	95,0	3333	-8,8	2242
25,0	28,5	62,4	3114	90,1	3459	60,5	3462	58,5	3515	97,0	3516	-7,4	2338
26,0	29,6	64,1	3262	91,9	3629	62,1	3636	60,2	3705	98,9	3708	-6,0	2434
27,0	30,7	65,7	3414	93,7	3853	63,7	3817	61,9	3907	100,7	3913	-4,7	2532
28,0	31,8	67,2	3570	95,4	4056	65,3	4006	63,5	4124	102,5	4134	-3,4	2630
29,0	32,9	68,7	3732	97,1	4278	66,8	4206	65,1	4362	104,3	4379	-2,2	2729
30,0	34,0	70,2	3898	98,8	4461	68,3	4418	66,6	4629	106,0	4658	-0,9	2828
31,0	35,1	71,6	4072	100,3	4723	69,7	4654	68,1	4945	107,6	5005	0,3	2929
32,0	36,2	73,0	4257	101,9	5097	68,3	12180	69,6	5373	109,2	5614	1,4	3031
33,0	37,3	74,3	4438			72,3	5186					2,6	3133
34,0	38,4	75,6	4658			73,5	5533					3,7	3237
35,0	39,5	76,9	4882									4,8	3342
36,0	40,6	78,1	5126									5,9	3448
37,0	41,7	79,2	5403									6,9	3555
38,0	42,8	80,3	5738									8,0	3663
39,0	43,9	80,7	7212									9,0	3773
40,0	45,0											10,0	3884
41,0	46,1											11,0	3996
42,0	47,2											11,9	4111
43,0	48,3											12,9	4227
44,0	49,4											13,8	4344
45,0	50,5											14,7	4464
46,0	51,6											15,6	4586
47,0	52,7											16,5	4709
48,0	53,8											17,3	4836
49,0	54,9											18,2	4965
50,0	56,0											19,0	5096
51,0	57,1												
52,0	58,2												
53,0	59,3												
54,0	60,4												
55,0	61,5												
56,0	62,6												
57,0	63,7												
58,0	64,8												
59,0	65,9												
60,0	67,0												

www.castel.it



ed. 001-DS-ENG

Castel can accept no responsibility for any errors or changes in the catalogues, handbooks, brochures and other printed material. Castel reserves the right to make changes and improvements to its products without notice. All trademarks mentioned are the property of their respective owners.

The name and Castel logotype are registered trademarks of Castel Srl.
All rights reserved.

Castel Srl - Via Provinciale 2-4 - 20060 Pessano con Bornago - MI